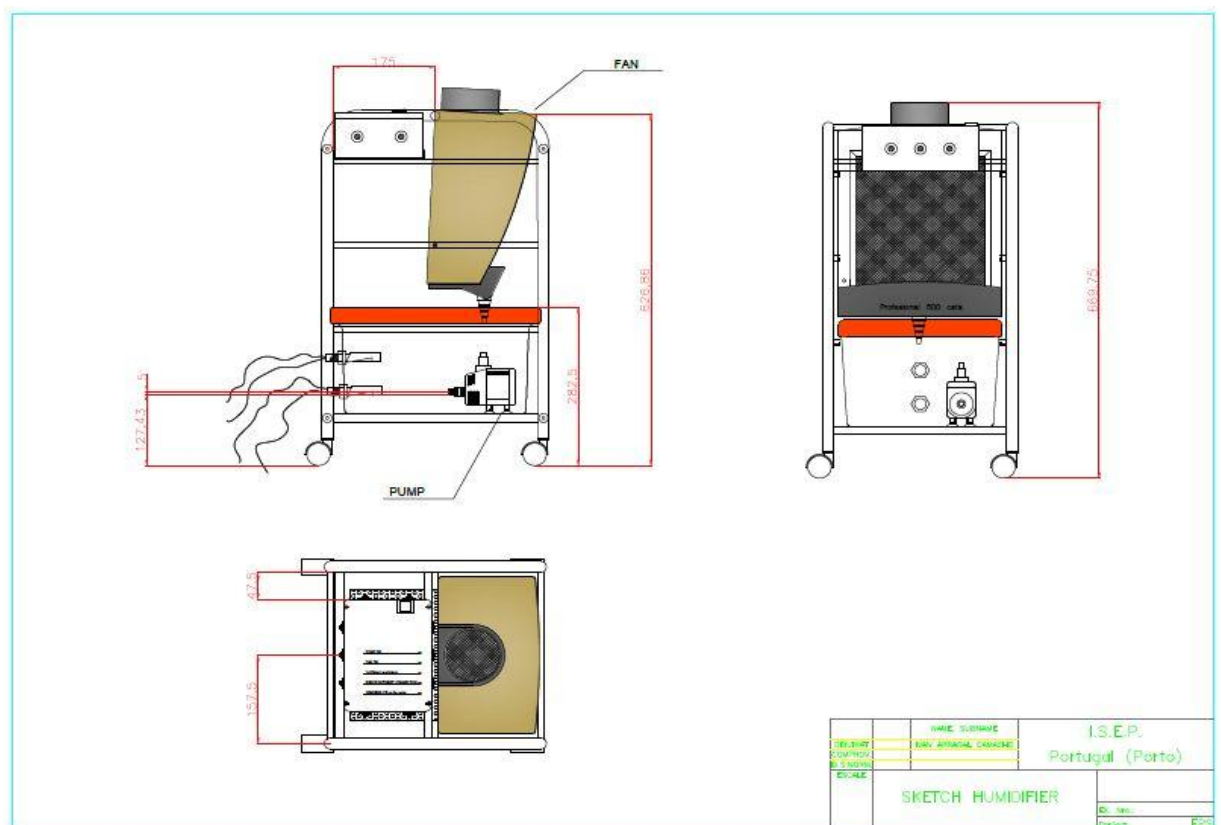


HUMIDIFIER WITH A WEB INTERFACE

Why humidifying a data center is so important?

If the relative humidity drops below 40% → the excess of static electricity → which may cause sparks → which can damage servers and IT equipment.



This humidifier was designed for data center of 80 m³. It should maintain the relative humidity between 40% and 70%.

This evaporative humidifier consists of fan, pump, water tank, and cloth which is used as filter. Cloth should be wet all the time, so an aquarium pump sprays it with the water from tank. The fan sucks water from cloth and then it blows as a small particles of water. It is controlled by Arduino with Ethernet card and it communicates with humidity sensors, water level sensors in tank and switches off and on a pump and a fan.



Marta Jozwiak, N. 1101692
David Testar Carbó, N. 1101693
Iván Arrabal Camacho, N. 1101696
Peter Gal, N. 1101676